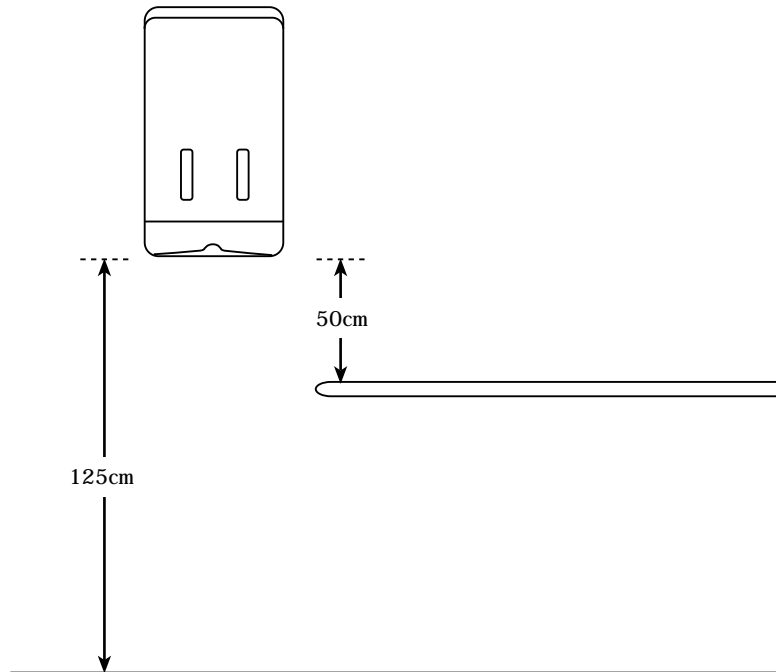


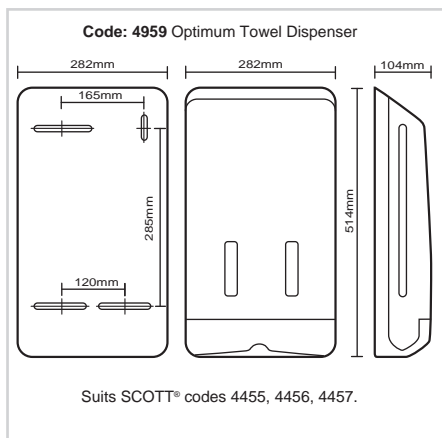
Installation Guide - Code 4959 Optimum Towel Dispenser

1
diagram



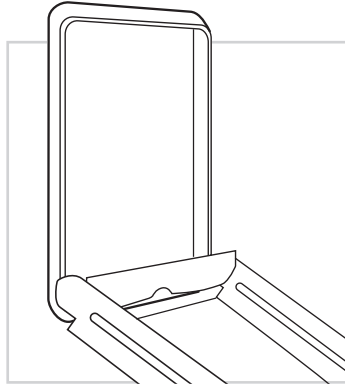
1. 4 screws and 4 plugs are enclosed.
2. Use an appropriate 6mm drill bit in conjunction with the enclosed wall plugs for masonry walls.
3. If plugs are not to be used then choose an appropriate size drill bit.
4. Using mounting template on box, mount the dispenser with bottom edge approximately 125cm from the floor or 50cm above a bench (see diagram).
5. Use all mounting screws provided with dispenser as a minimum to attach dispenser to wall.
6. If no mounting template available open dispenser with key and hold squarely against wall while you mark drilling holes (or see diagram 2 for measurements).

2
diagram

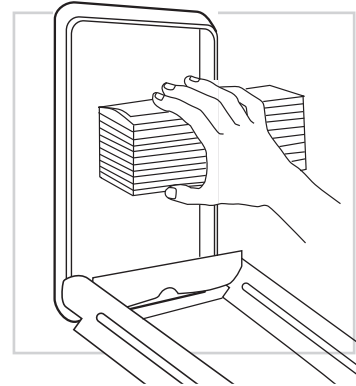


Usage Guide - SCOTT[®] Optimum Towel

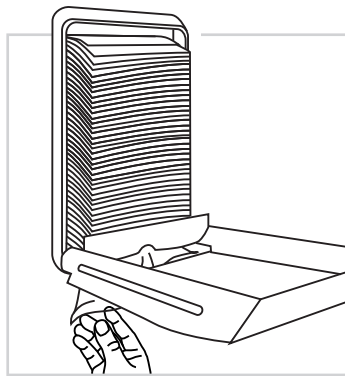
1 How to Load



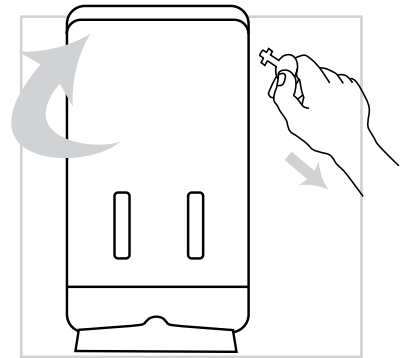
1. Use key to unlock dispenser and lower front lid.
2. Hold towel pack with join in wrapper facing you and arrow pointing up.



3. Remove wrapper and insert pack, ensuring there is at least 10mm of space between the top of the pack and the upper ledge of the dispenser.

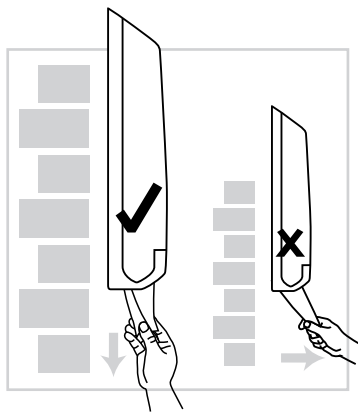


4. Do not compress towels.
5. If empty, feed first sheet through mouth at bottom of dispenser.



6. Remove key from lock and firmly close front lid.

2 How to Use



1. Always pull towels straight down. Pulling at an angle will cause tearing.