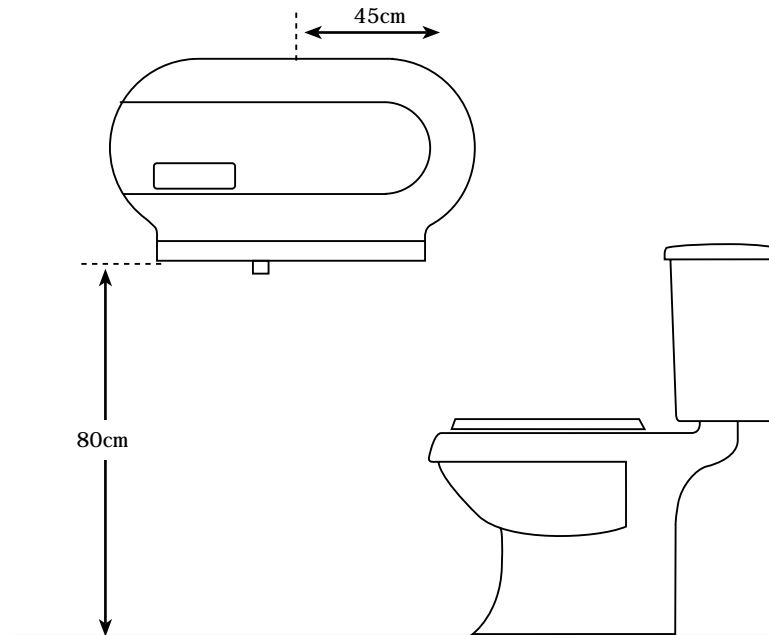


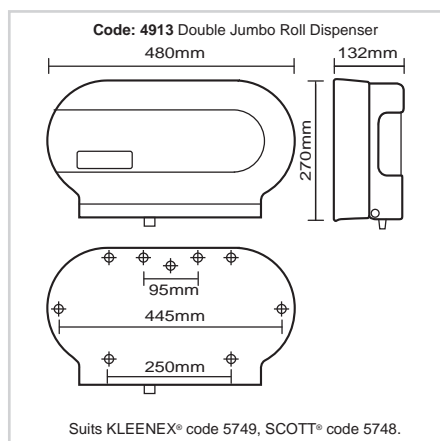
Installation Guide - Code 4913 Double Jumbo Roll Dispenser

1
diagram



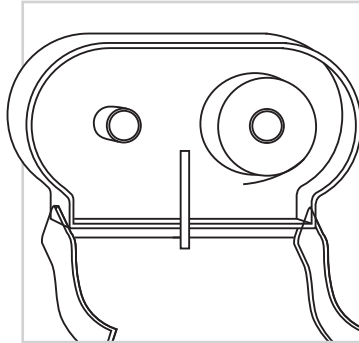
1. 3 screws and 3 plugs are enclosed.
2. Open dispenser using key provided and mark wall with mounting holes making sure dispenser is square. Mount dispenser with bottom edge approximately 80cm from floor, and with centreline of dispenser 45cm from front edge of toilet (see diagram 1).
3. Use all mounting screws provided with dispenser as a minimum to attach dispenser to wall.

2
diagram

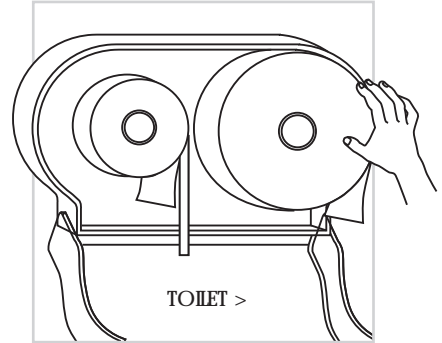


Usage Guide - Jumbo Toilet Roll Double Dispenser

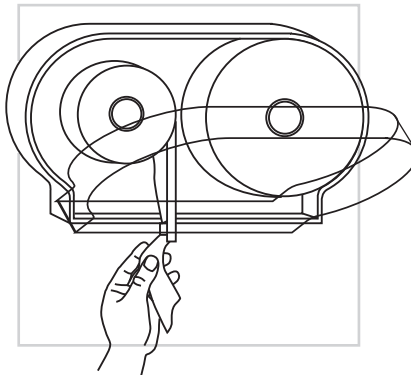
1 How to Load



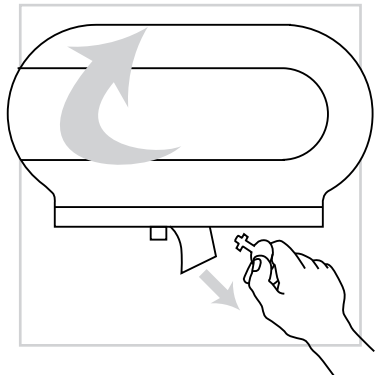
1. Use key to unlock dispenser and lower front lid.



2. Remove empty core from left spindle and replace with right hand roll.
3. For best results load dispenser with roll tails closest to the toilet pan.

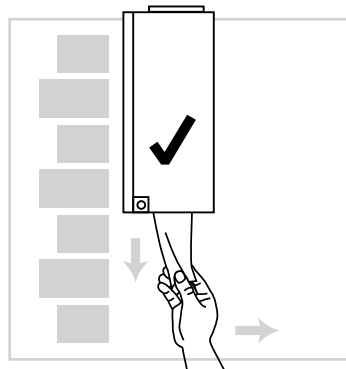


4. Feed sheet through mouth at bottom of dispenser.

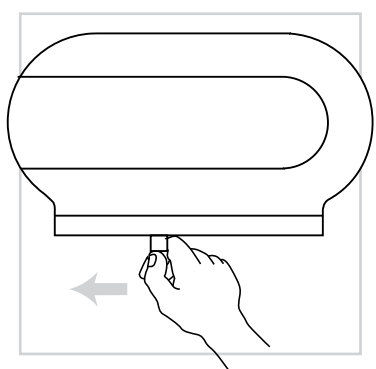


5. Remove key from lock and firmly close front lid.

2 How to Use



1. Always pull tissue straight down and tear at an angle.



2. When left roll is empty, slide lever at base of dispenser left until it locks in place.